



RNG-30D-SS

30W Monocrystalline Solar Panel

Key Features

Sleek, lightweight, and durable. The Renogy 30 Watt 12 Volt Monocrystalline Panel is small enough to store and tow but powerful enough to charge your favorite electronics.

- High module conversion efficiency
- Top ranked PTC rating
- Quick and inexpensive mounting
- 100% EL testing on all Renogy modules
- No hot spots guaranteed

Potential Uses

The Renogy 30W Monocrystalline Panel can be used in various off-grid applications that include 12 and 24 volts arrays, security systems, signaling systems and other off-grid applications.



Power Output Warranty



Material and Workmanship Warranty

RNG-30D-SS

30W Monocrystalline Solar Panel

Electrical Data

Maximum Power at STC*	30 W
Optimum Operating Voltage (V_{mp})	19.5 V
Optimum Operating Current (I_{mp})	1.60 A
Open Circuit Voltage (V_{oc})	22.9 V
Short Circuit Voltage (I_{sc})	1.70 A
Cell Efficiency	21.0%
Maximum System Voltage	600 VDC UL
Maximum Series Fuse Rating	5 A

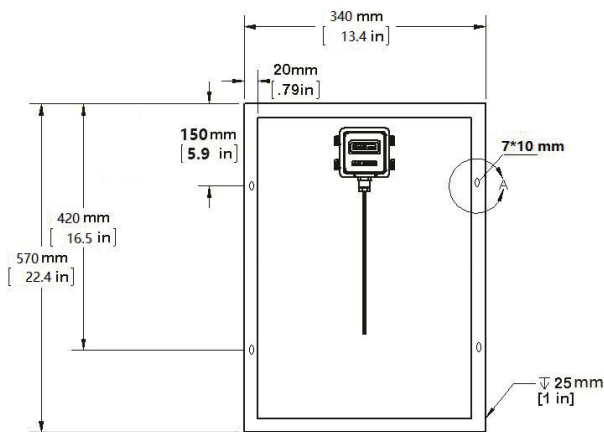
Thermal Characteristics

Operating Module Temperature	-40°C to +90°C
Nominal Operating Cell Temperature (NOCT)	47±2°C
Temperature Coefficient of Pmax	-0.23%/°C
Temperature Coefficient of Voc	-0.33%/°C
Temperature Coefficient of Isc	0.05%/°C

Junction Box

IP Rating	IP 54
Output Cables	14 AWG (1.64 ft long)

Module Diagram



Mechanical Data

Solar Cell Type	Monocrystalline (6.1 x 1.14 in)
Number of Cells	32 (2 x 16)
Dimensions	22.4 x 13.4 x 1 in (570 x 340 x 25 mm)
Weight	6.2 lbs (2.8 kg)
Front Glass	Tempered Glass 0.13 in (3.2 mm)
Frame	Anodized Aluminium Alloy
Connectors	MC4 Connectors
Fire Rating	Class C

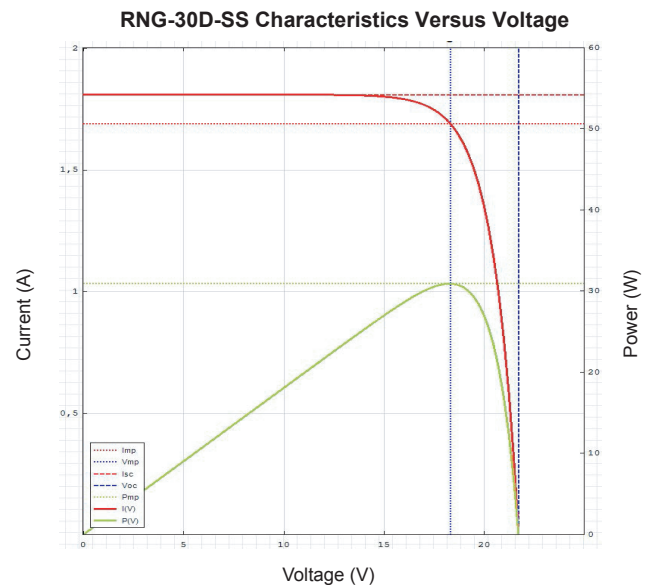
MC4 Connectors

Rated Current	30A
Maximum Voltage	1000VDC
Maximum AWG Size Range	10 AWG
Temperature Range	-40°F to 194°F
IP Rating	IP 67

Certifications



IV-Curve



*All specifications and data described in this data sheet are tested under Standard Test Conditions (STC - Irradiance: 1000W/m², Temperature: 25°C, Air Mass: 1.5) and may deviate marginally from actual values. Renogy and any of its affiliates has reserved the right to make any modifications to the information on this data sheet without notice. It is our goal to supply our customers with the most recent information regarding our products. These data sheets can be found in the downloads section of our website, www.renogy.com